

freedom through lightweight solutions



**Mangar International**

Presteigne

Powys

Wales, UK

LD8 2UF

tel: +44 (0)1544 267674

fax: +44 (0)1544 260287

customerservice@mangar.co.uk

www.mangarinternational.co.uk

MI0206 issue 1



user instructions and warranty

# archimedes air

freedom

through lightweight solutions

The Archimedes Air, is a light weight, low pressure air powered bathlift. Power is provided by the Mangar International Airflo compressor (battery or mains powered). DO READ the separate Airflo compressor instructions before using your Archimedes Air bathlift. The Archimedes Air will give many years of trouble free bathing.

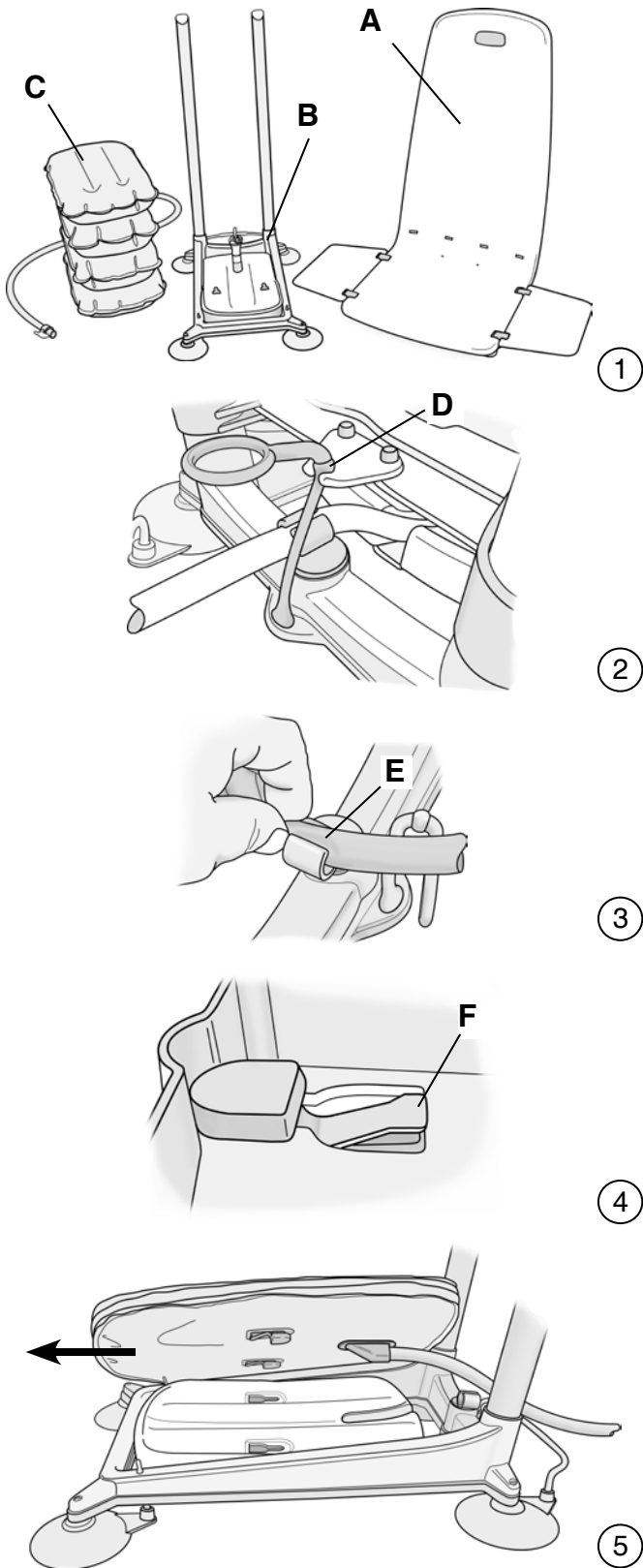


## WARNINGS

- Ensure that you have read and understood these instructions and those provided with any other Mangar International product, before operating the equipment.
- The Archimedes Air should only be used as a bathing aid; NEVER use it out of a bath.
- Ensure that the suction cups adhere firmly to the bath before use.
- The Archimedes Air is designed to go as low as possible in the bath. In baths with exceptionally narrow or curved sides/bases, it may be unsuitable. Always check that the seat section is free to lower to its full extent and rise again freely. Be certain that it is positioned correctly before use.
- Ensure that the bellows are properly secured in the base before use.
- Ensure that the transfer flaps will be clear of any obstructions, such as bath handles and soap dishes, as the seat section is raised. NOTE: To avoid flaps becoming caught under bath handles, fit the supplied Flap Guards to the bath handles.
- NEVER recharge the Airflo compressor batteries in the bathroom, outdoors or in a damp environment.
- If operating with a mains powered Airflo compressor, the Airflo MUST be placed OUTSIDE the bathroom. Either the Lever Hand Control or an extended Push Button Hand Control with air hose extension must be used.
- Do not use the Archimedes Air as a support to steady yourself when cleaning the bath or when reaching into the bath to retrieve items.

## CONTENTS

Getting Started	Pg. 3
Fitting the Archimedes Air in the Bath	Pg. 4
Connecting the air hose	Pg. 4
Using the Archimedes Air	Pg. 4
Removing the Archimedes Air from the Bath	Pg. 5
Cleaning	Pg. 5
Storage	Pg. 5
Maintenance	Pg. 6
Fault Finding	Pg. 6
Specifications	Pg. 7
Warranty	Pg. 7



**Standard Contents**

- 1 x Archimedes Air Bathlift (inc. 2 transfer flaps).
- 2 x Flap Guards (with user instructions)
- 1 x Archimedes Air User Instructions.

**Getting Started**

**Unpacking** - Remove the contents from the packaging and check them to make sure that no damage has been caused during transit. If it has, contact your supplier immediately.

**Airflo compressor** (supplied separately) - The battery version Airflo must be put on charge before using your Archimedes Air for the first time (see separate Airflo user instructions).

**Seat and base sections** - The Archimedes Air seat section (A fig.1) can be easily separated from the base section (B). The air bellows (C) are attached to the base section by two plastic lugs and should only need to be removed from the base section for cleaning.

*To separate the seat from the base section:*

- Fold the transfer flaps onto the seat.
- Release the transit tie by pulling up the 'O' ring and lifting the ball clear of the slot (D fig.2).
- Slide the seat up the guide bars and lift it clear of the base section.
- Reassemble in the reverse order. NOTE: Do not re-attach the transit tie unless you are intending to carry the assembled Archimedes Air.

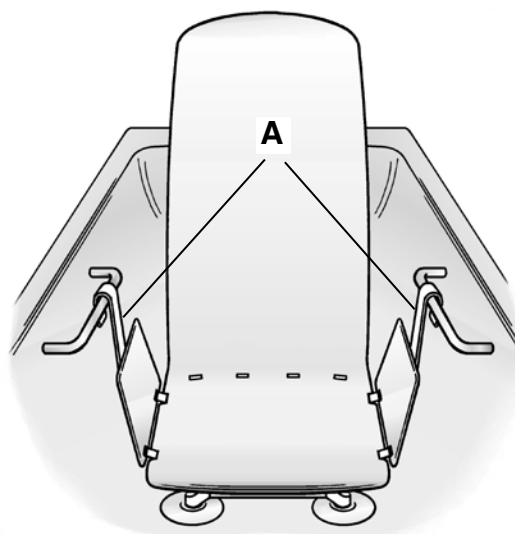
The transit tie should only be re-attached to the back of the seat section in order to keep both the seat and base sections together whilst carrying the Archimedes Air.

*To separate the air bellows from the base section:*

- Remove the seat from the base section.
- Release the air hose from the clip (E fig.3).
- Turn the base section upside down and push the locking tags down (F fig.4) and pull the bellows towards the front of the base section to release the lugs from the slots (fig.5).
- Refit in the reverse order ensuring that the locking tags (F fig.4) are properly located. NOTE: with the locking tags in place, the lugs cannot slide clear of the slots.

**Fitting the Archimedes Air in the bath**

- Before placing the Archimedes Air in a bath, check that the surface where the suction cups will be sitting is clean and free from bath oil and cleaning residue. Remove anti-slip matting from this area. **WARNING:** The suction cups may not adhere properly on textured and non-slip areas of a bath.
- Remove the seat section from the base (see “Getting Started”). Moisten each of the suction cups and place the base section as close to the back slope of the bath as possible.
- Fold the transfer flaps onto the seat and slide the seat section onto the base section. **WARNING:** To avoid flaps becoming caught under bath handles, fit the supplied Flap Guards as indicated (**A** fig.6) - see separate instructions supplied with the Flap Guards.



6

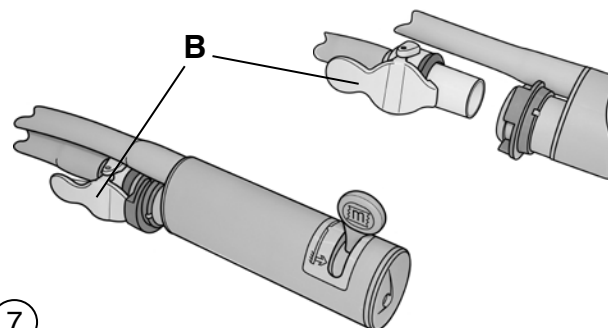
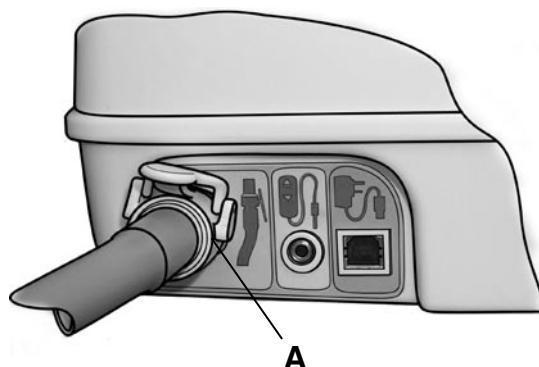
**Connecting the air hose**

*Battery powered Airflo:*

- Connect the air hose from the air bellows to the Airflo air outlet socket (**A** fig.7).





*Mains powered Airflo:*

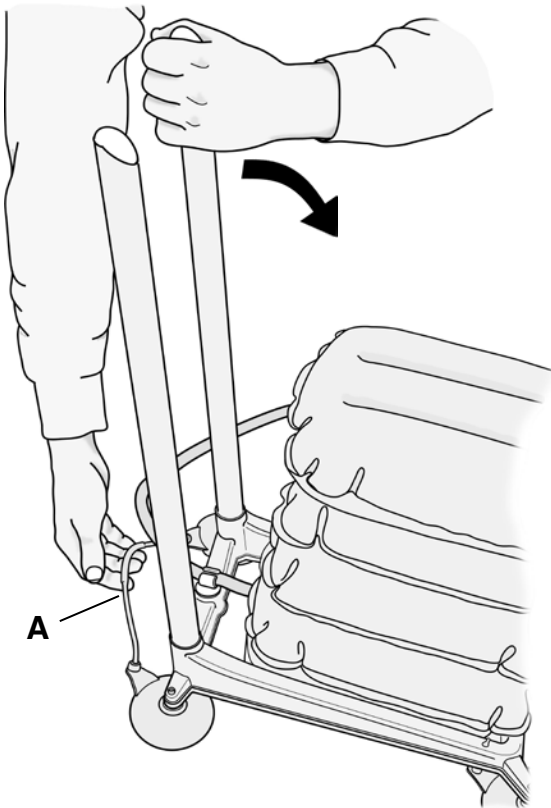
- Connect the air hose from the air bellows to the Lever Hand Control (**B** fig.7) and connect the Lever Hand Control air hose to the Airflo air outlet or the wall mounted air outlet socket if using with a Mangar International plumbed-in air system.
- If preferred, a Push Button Hand Control extension lead and an air hose extension are available for connecting to the mains powered Airflo outside the bathroom.



7

**Using the Archimedes Air**

- To raise the seat, press the ‘up’  button on the Push Button Hand Control or move the lever to ‘up’  on the Lever Hand Control.
- Release the button or return the lever to the ‘neutral/stop’ position when the seat is fully raised.
- Transfer across the flap and onto the seat.
- To lower yourself, press the ‘down’  button or move the lever to ‘down’ . To stop the seat at any point, release the button or move the lever to ‘neutral/stop’.
- To raise the seat, press the ‘up’ button or move the lever to ‘up’. Release the button or move the lever to ‘neutral/stop’ when the seat is fully raised.



8

**Removing the Archimedes Air from the bath**

- Fully lower the seat.
- Fold the transfer flaps onto the seat and lift the seat clear of the base.
- Lift the suction cup release handle at the back of the base section (**A** fig.8) and tilt the base forwards using the guide bars.
- Continue tilting the base forwards. This will automatically release the suction on the front suction cups and the base section can then be lifted from the bath. NOTE: DO NOT use the suction cup release handle to tilt or lift the base section. NEVER attempt to release suction on the rear suction cups by pulling on the guide bars.

**Cleaning**

Regularly clean your Archimedes Air with the same non-abrasive cleaners that you normally use on your bath. It is best to fully inflate the air bellows and then separate the seat, base and bellows prior to cleaning. Rinse well to remove any cleaning residue. Allow the bellows to dry thoroughly before deflating for storage.

**Disinfecting**

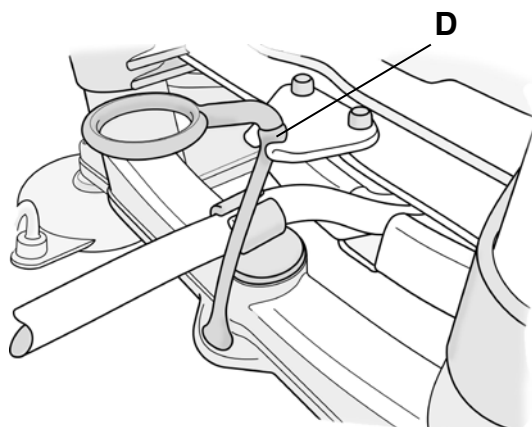
Pre-clean the Archimedes Air as above and disinfect using a proprietary sterilising solution such as ‘Milton’ or other antibacterial cleaner or a hard surface alcohol impregnated wipe.

Regular cleaning will help to prolong the life and efficiency of your Archimedes Air bathlift.

**Storage**

The Archimedes Air should be stored in a dry location with the seat section fully lowered. Keep these instructions in a safe place for future reference.

When stored for long periods, ensure that the Archimedes Air is clean, thoroughly dry and stored in a dry environment.



9

The transit tie (**D** fig.9) should be attached to the seat section to allow the Archimedes Air to be easily picked up and moved.

**Maintenance**

*Regular check:*

- Check that the suction cups (1) are securely attached and are undamaged.
- Check that the air bellows tray (2) is securely fitted to the base section.
- Check that the air bellows is securely clipped into the bellows tray and that the locking tags on the plastic lugs (3) are properly located.
- Check that the air hose (4) is undamaged and properly located in the retaining clip (5) at the rear of the base section.
- Check that the transfer flaps (6) are properly secured to the seat section.
- Check the condition and operation of the transit tie (7).
- Check that the seat section can slide freely up and down the guide rails (8).
- Check that all sections are clean and free from any build-up of cleaning residue.

We recommend that your Archimedes Air is inspected annually by either your supplier or other suitably qualified person. If required, Mangar International can provide the above maintenance within an annual service contract. Please contact our Customer Service department for further details (**See page 7 for further information**).

Repairs or servicing must only be carried out by your supplier or other authorised person.

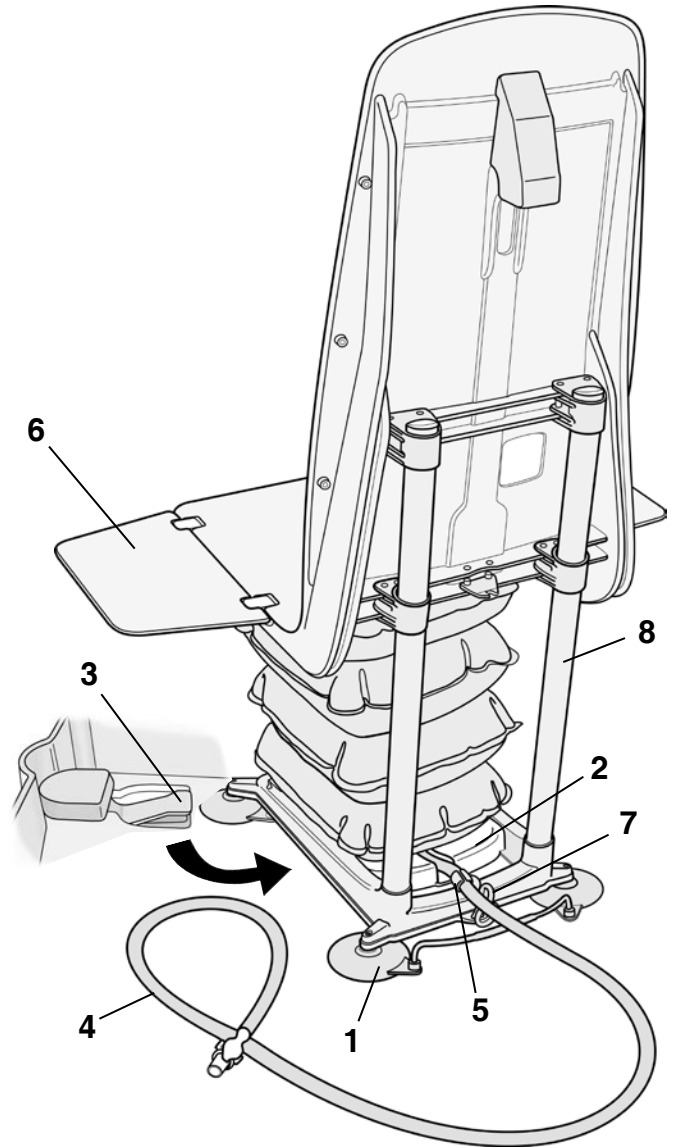
**Fault Finding**

*If the seat fails to rise:*

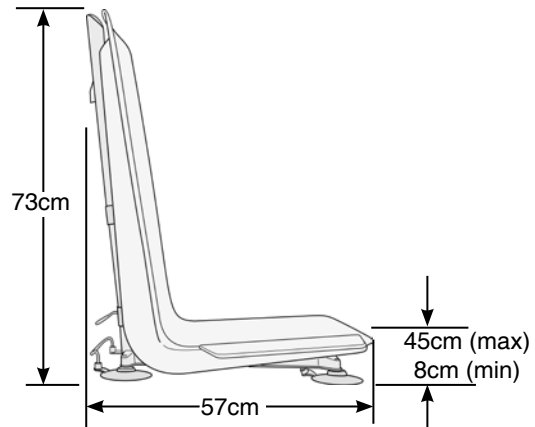
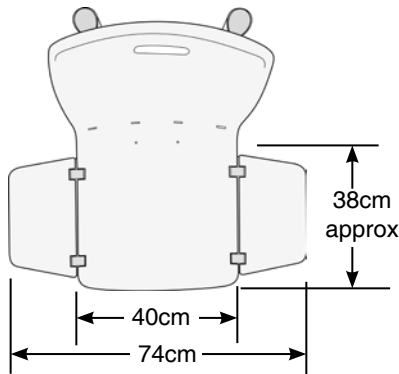
- Check that the air hose is connected to the Airflo (Battery version).
- Check that the air hose is connected to the lever hand control and that the 'Auto Function' has been selected (Mains version - see separate Airflo user instructions).
- Check that the air hose is not kinked or trapped.
- Check the 'Trouble Shooting Guide' in the Airflo user instructions for further advice.

*If the seat fails to lower:*

- Check that the Airflo batteries are sufficiently charged (see separate Airflo user instructions).
- Check that the air hose is not kinked or trapped.



**Specifications**



Maximum user weight:	150kg
Total weight:	9.2kg
Seat section only:	5.2kg
Base section with bellows:	4kg

Seat height (Min/Max):	8cm/45cm
Maximum inlet pressure:	0.35 bar (5psi)
Maximum temperature:	50°C

**Warranty**

Mangar International guarantees this product for a period of two years.

The guarantee is given against defects in material and workmanship and comprises piece, parts and labour. The guarantee is not valid in the case of fair wear and tear, wilful damage, common neglect, misuse or unauthorised alteration or repair by unqualified persons.



The following statements do not affect the consumer's statutory rights. This product is sold on the understanding that in the event of any defect of manufacture or material appearing within two years of the date of receipt of this product, the defect will be rectified free of charge providing that:

- (a) Reasonable evidence is provided (e.g. purchase invoice, delivery note) that the product was not purchased more than two years prior to the date of the claim.
- (b) The defect is not attributable to accidental damage (either in transit or otherwise), misuse or unauthorised repair.

Archimedes Air serial number: .....

Date of purchase: .....

Invoice/Delivery note number: .....



We strive to provide our customers with reliable and durable products of the highest quality. In addition to a two year guarantee, and for added peace of mind, our servicing division, Primeserve, also offers a variety of service options. Choose from an **Extended Parts Warranty**, **Call-Out Protection** and an **Annual Service and Clean**.

To find out how we can provide complete cover for your Mangar International product call our Customer Service Department on **Freephone 0800 280 0485**.

Mangar International reserves the right to alter product specifications and/or any of the information contained within this document without notice.