

Introduction

The Days Healthcare 809 range of Shower Chairs are manufactured from powder coated aluminium tubing with swing-away detachable footrests and adjustable height arms. The back support incorporates a pushing handle for attendant use when required . A gap fronted seat allows the chairs to be used as a commode or over a toilet pedestal.

Assembly

The product is shipped from Days Healthcare Ltd in a flat pack . Please refer to the enclosed assembly instructions to assist in assembly - Doc No.- B1-052-01.

Adjustments

Swing-away footrests

The footrests can be rotated away from the front of the chair or removed completely to aid access to the chair.

Depress the plastic locking lever to release holding mechanism , lift to remove or rotate footrests to the rear .

The footrest will click to lock when returned to the front of the chair.

To adjust the footplate height , remove the height adjustment screw with the hexagon key provided , adjust the footplate to the required position and refit screw into the nearest hole and tighten to secure.



809C



FOOTREST

Armrests

The armrests are height adjustable , to release the locking pin pull on the plastic release lever at the rear of the vertical tube . Adjust the armrests to the required height and push down on the plastic release lever to allow the sprung loaded locking pin to locate in the selected height adjustment hole.



ARMREST

Operating Instructions

The 809C Mobile Shower Chair is fitted with four 125mm castors and is designed for the user to be positioned by an attendant . When in use the chair can be secured by locking the brakes on the castors with your foot by pressing down on the castor levers .To release , pull up on the lever .

The 809 model is fitted with 24" rear wheels thus allowing the user to self propel themselves into position. When in use the chair can be secured by pushing the brake levers fully forward to lock the rear wheels . To release , pull the levers back .

The tension of the brake may be adjusted by loosening the brake support bracket and sliding it along the frame . Re-tighten the two clamp bolts after adjustment.

Both models are supplied with toileting bowls which can be removed from the rear of the chair when showering or using a pedestal toilet . When refitting the bowl , ensure the bowl is seated in both slides underneath the seat and centrally positioned .

Safety Precautions

Do not stand on the footrests when getting in or out of the chair as this will tip the chair forwards.

Always apply the brakes when using the chair for showering or toileting to avoid unnecessary chair movement

Remember in a shower environment the floors are wet and slippery. Be aware that if the user leans too far forward in the chair and takes the weight off the rear wheels the chair could slide backwards even with the brakes applied.

Do not sit on the front edge of the seat as this will also tend to tip the chair forward.

Maintain an upright posture and lean against the backrest.

WARNING! - Always take extra care when getting in or out of the shower chair.

Cleaning

To clean, wipe over with a soft damp cloth. Use general purpose neutral detergent and warm soapy water. The shower chair may be placed under running water at low pressure or showered down to assist cleaning. Do not use harsh abrasives or bleach based cleaners to avoid surface damage and discolouration.

To disinfect clean as above and wipe over with solution of one thousand parts per million available chlorine disinfectant (haztabs/precept), rinse and dry.

Maintenance

Daily, before use, check the effective operation of the brakes and castors.

Make sure the castors rotate freely .

Check the seat is properly secured in place by the front clips .

Both armrests are securely locked in height .

Footrests and footplates are secure in position .

Specification

Seat Width - 46cms

Seat Depth - 41cms

Seat Height - 58cms

Backrest Height - 38cms

Overall Width - Model No's 809C = 56cms. 809 = 70cms

Maximum User Weight – 100kg

Warranty Information

The Days Healthcare Shower Chairs are warranted for one year from the date of purchase against faulty workmanship or materials. Please contact your supplier/dealer should a fault occur.

The warranty does not extend to the consequential costs resulting from fault clearance, in particular freight and travel costs, loss of earnings, expenses, etc.

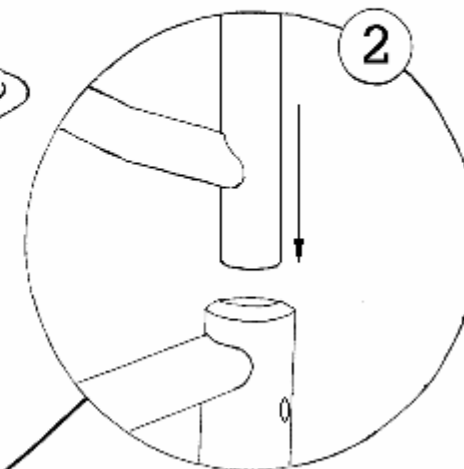
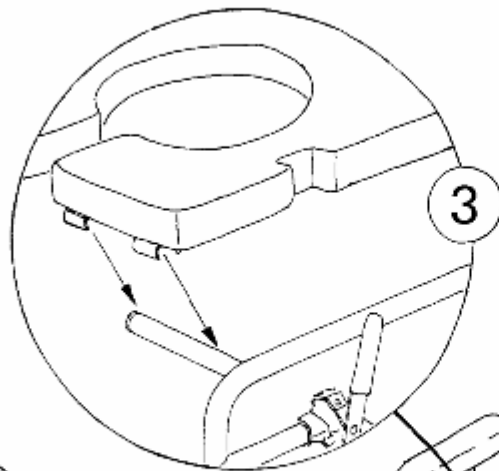
The manufacturer will not accept responsibility for any damage or injury caused by misuse or non-observance of the instructions set out above.



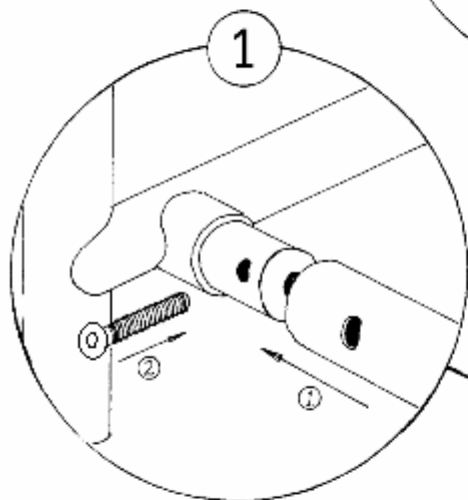


MODEL NO.
809 AND 809C

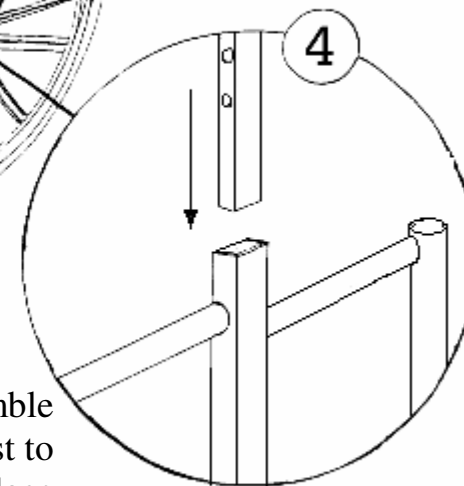
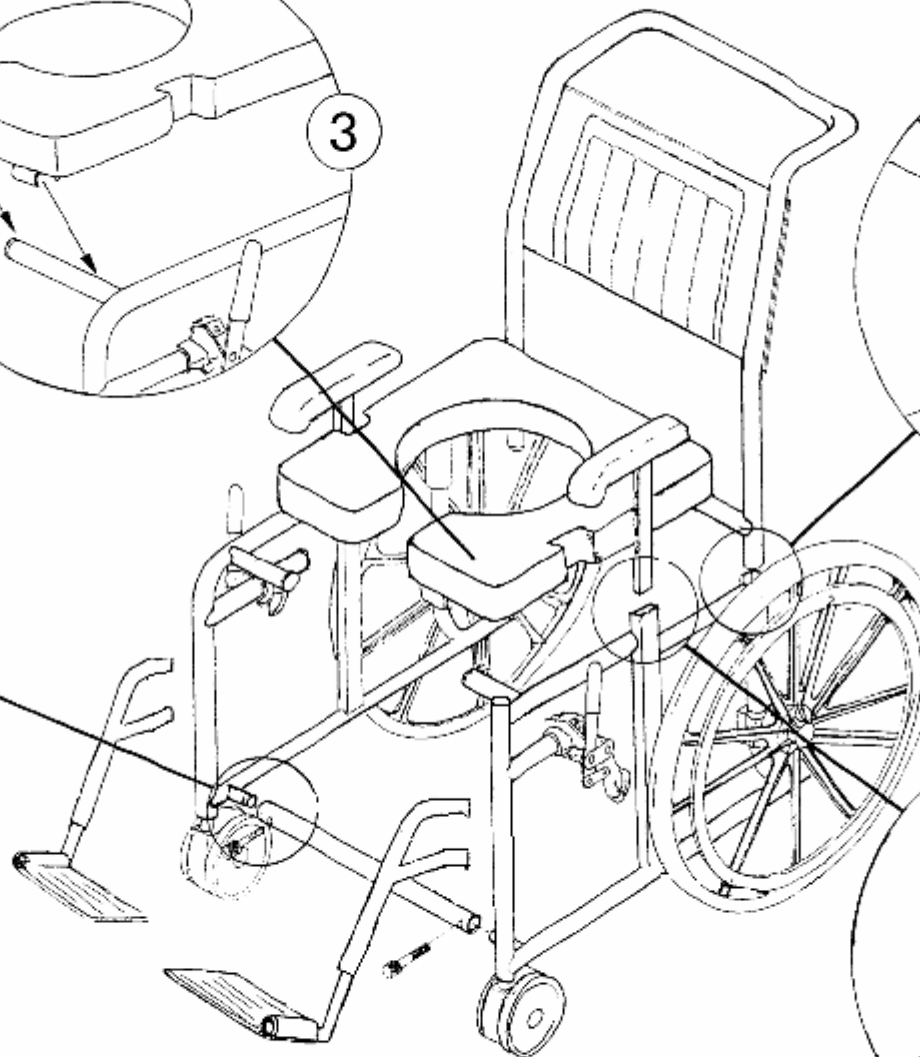
3- Locate back of seat under backrest cross-rail tube. Press down front of seat to clip onto side-frame tubes



2- Assemble back assembly into both side-frames and secure in place with screws.



1- Connect both side frames with cross-rail tube and secure with screws using the hexagon-key supplied.



4- With the seat in place, assemble armrests into side-frame. Adjust to required height and secure in place with locking mechanism.