

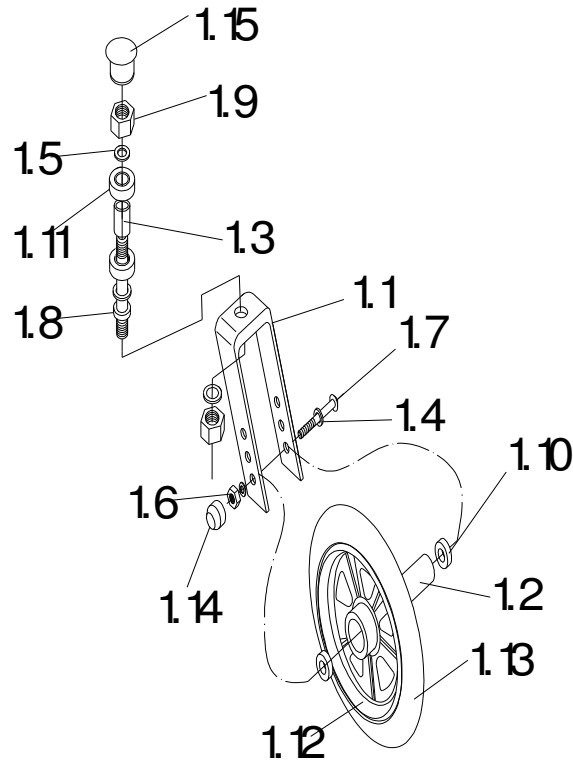
# Spare Parts List 338-S & SN



# Escape Lite

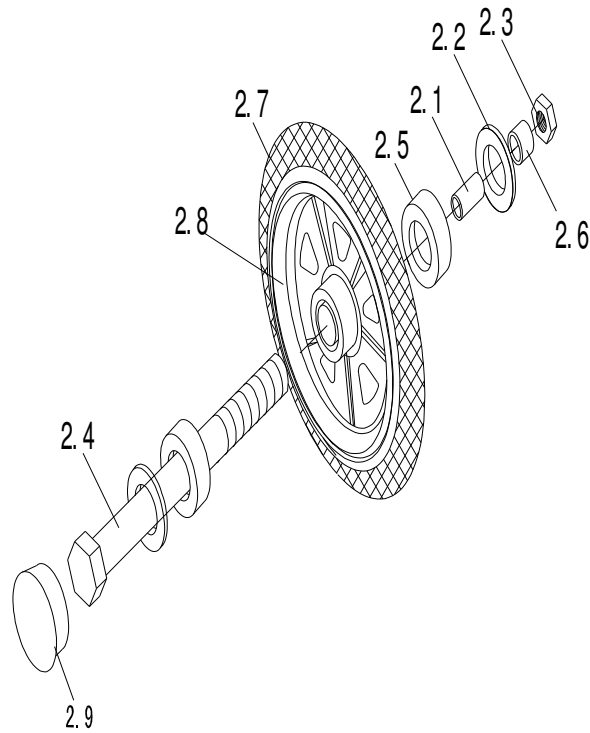
Issue 1 08/05

## Spare Parts List



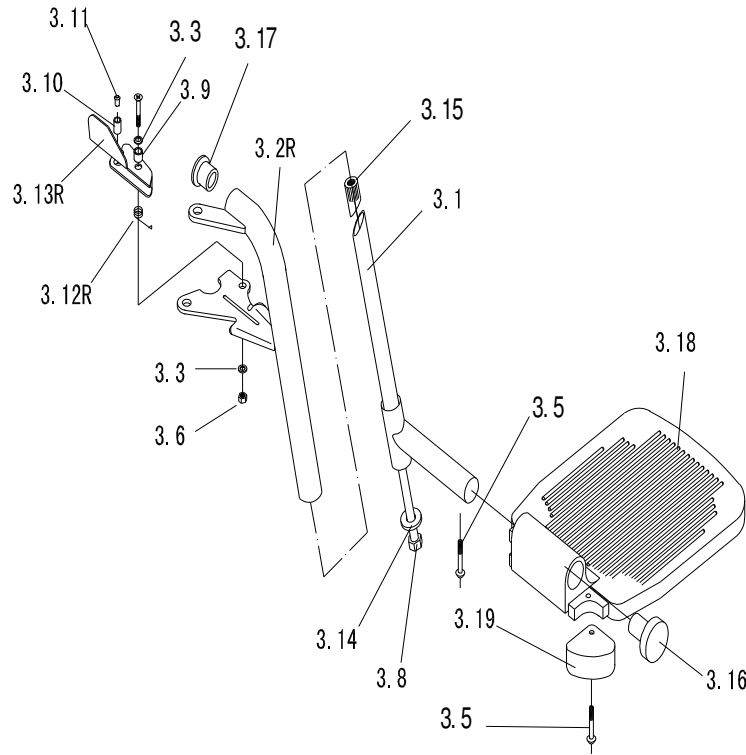
| Item No | Part No        | Description                                     | Price £ | Qty |
|---------|----------------|---|---------|-----|
| 1       | 2060405-YS0910 | FRONT WHEEL ASS'Y                               | £11.28  | 1   |
| 1.1     | 4060423-YS0910 | ALUM. FORK                                      | £3.79   | 1   |
| 1.2     | 4060425        | INSIDE TUBE FOR FRONT WHEEL $\phi 12*1.9$ L=24, | £0.26   | 1   |
| 1.3     | 4060748        | INSIDE TUBE FOR FORK $\phi 16*1.9T$ L=33.5      | £0.26   | 1   |
| 1.4     | 5010030-08     | WASHER $\phi 16*\phi 8.2*2.0t$                  | £0.08   | 1   |
| 1.5     | 5010122-03     | WASHER $\phi 16*\phi 12.2*0.5$                  | £0.08   | 1   |
| 1.6     | 5020028-08     | M8 NYLON NUT                                    | £0.13   | 1   |
| 1.7     | 5020069-08     | SCREW M8*62*15                                  | £0.51   | 1   |
| 1.8     | 5020112-03     | LEVER   | £1.14   | 1   |
| 1.9     | 5020135-08     | M12 NYLON NUT M12*1.25*9H                       | £0.38   | 1   |
| 1.10    | 5030023        | SMALL BEARING 608ZE 8mm                         | £0.51   | 1   |
| 1.11    | 5030038        | 6001Z BEARING 6001Z                             | £0.63   | 1   |
| 1.12    | 5050091-08     | PLASTIC WHEEL RIM                               | £1.26   | 1   |
| 1.13    | 5050130-05     | 8*1" SOLID TIRE,GREY                            | £1.89   | 1   |
| 1.14    | 5050144-08     | PLASTIC COVER,BLACK M8                          | £0.13   | 1   |
| 1.15    | 5050221-08     | BEARING CAP,BLACK                               | £0.25   | 1   |

## Spare Parts List



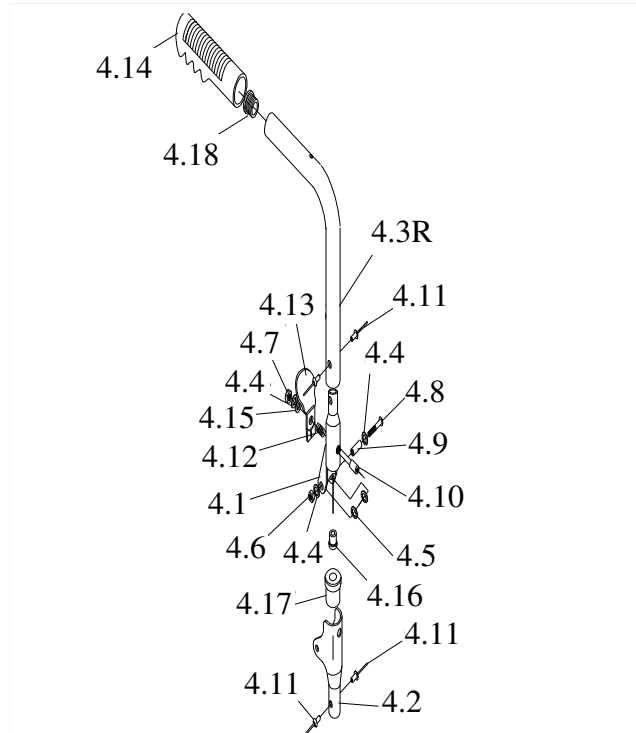
| Item No | Part No    | Description                           | Price £ | Qty |
|---------|------------|---------------------------------------|---------|-----|
| 2       | 2062808    | REAR WHEEL ASS'Y 12"                  | £19.73  | 1   |
| 2.1     | 4060934    | INSIDE TUBE FOR REAR WHEEL            | £0.26   | 1   |
| 2.2     | 5010009-08 | WASHER $\phi 25.4 * \phi 12.5 * 2.0t$ | £0.10   | 1   |
| 2.3     | 5020072-08 | M12 NYLON NUT M12*1.25*9              | £0.38   | 1   |
| 2.4     | 5020140-08 | LEVER M12*1.25*115*25                 | £1.01   | 1   |
| 2.5     | 5030038    | 6001Z BEARING                         | £0.63   | 1   |
| 2.6     | 5040252-ED | BLOCK ON REAR WHEEL,ED                | £1.26   | 1   |
| 2.7     | 5050126-05 | 12" PU TIRE,GREY 1/2"*2 1/4",         | £11.36  | 1   |
| 2.8     | 5050127-08 | 12" PLASTIC WHEEL RIM,BLACK           | £4.53   | 1   |
| 2.9     | 5050532-08 | 12" REAR WHEEL CAP,BLACK              | £0.30   | 1   |

## Spare Parts List



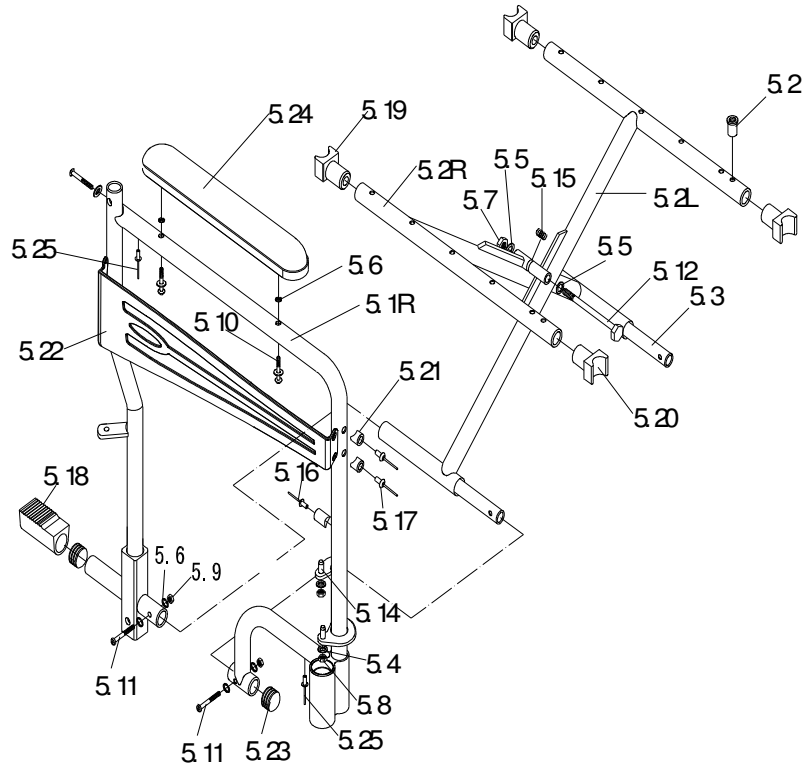
| Item No | Part No        | Description                        | Price £ | Qty |
|---------|----------------|------------------------------------|---------|-----|
| 3       | 2060411-YS0910 | FOOTREST ASS'Y                     | £7.69   | 1   |
| 3.1     | 3060409-ED     | INSIDE TUBE WELDING,ED             | £2.52   | 1   |
| 3.2R    | 3060428-YS0910 | BEND TUBE WELDING(RIGHT)           | £4.53   | 1   |
| 3.2L    | 3060429-YS0910 | BEND TUBE WELDING(LEFT)            | £4.53   | 1   |
| 3.3     | 5010026-08     | WASHER $\phi 10 * \phi 5.2 * 1.0t$ | £0.08   | 1   |
| 3.5     | 5020014-08     | SCREW $\phi 5 * 15$ ,              | £0.13   | 1   |
| 3.6     | 5020030-08     | M5 NYLON NUT                       | £0.13   | 1   |
| 3.7     | 5020068-08     | SCREW M5*20,                       | £0.13   | 1   |
| 3.8     | 5020146-02     | LEVER M8*215*50                    | £0.50   | 1   |
| 3.9     | 5030031-03     | HOUSING PARTS                      | £0.15   | 1   |
| 3.1     | 5030032-03     | TUBE LOCKING                       | £0.15   | 1   |
| 3.11    | 5030060-03     | POP NUT                            | £0.08   | 1   |
| 3.12R   | 5030069-03     | SPRING,LEFT                        | £0.13   | 1   |
| 3.12L   | 5030070-03     | SPRING,RIGHT                       | £0.13   | 1   |
| 3.13R   | 5030272-08     | BLOCK LOCK(LEFT)                   | £0.50   | 1   |
| 3.13L   | 5030273-08     | BLOCK LOCK(RIGHT)                  | £0.50   | 1   |
| 3.14    | 5030354-02     | M8 WASHER COVER                    | £0.38   | 1   |
| 3.15    | 5040176        | INSIDE TUBE,RAW                    | £0.38   | 1   |
| 3.16    | 5050022-08     | PLUG,BLACK                         | £0.25   | 1   |
| 3.17    | 5050158-08     | RUBBER PLUG,BLACK                  | £0.25   | 1   |
| 3.18    | 5050195-08     | PLASTIC FOOTPLATE,BLACK            | £2.52   | 1   |
| 3.19    | 5050197-08     | FOOTPLATE COVER,BLACK              | £0.51   | 1   |

## Spare Parts List



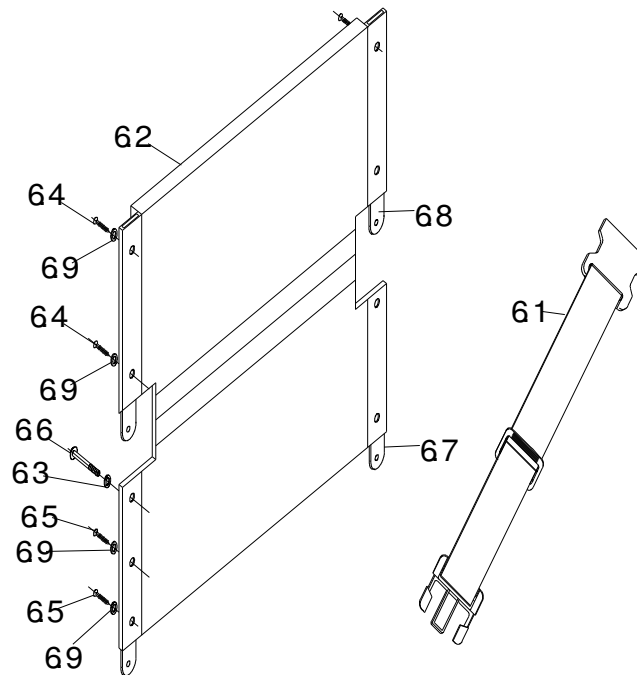
| Item No | Part No        | Description            | Price £ | Qty |
|---------|----------------|------------------------|---------|-----|
| 4       | 2060425-YS0910 | HANDLE ASS'Y           | £12.02  | 1   |
| 4.1     | 3060434-ED     | RIVET BUTTON           | £2.52   | 1   |
| 4.2     | 4060432-ED     | HANDLE LOCKING,ED      | £1.51   | 1   |
| 4.3R    | 4060440-YS0910 | HANDLE TUBE(LEFT)      | £2.52   | 1   |
| 4.3L    | 4060475-YS0910 | HANDLE TUBE(RIGHT)     | £2.52   | 1   |
| 4.4     | 5010004-08     | WASHER                 | £0.08   | 1   |
| 4.5     | 5010049        | COPPER WASHER          | £0.08   | 1   |
| 4.6     | 5020029-08     | M6 NYLON NUT           | £0.13   | 1   |
| 4.7     | 5020030-08     | M5 NYLON NUT           | £0.13   | 1   |
| 4.8     | 5020065-08     | SCREW M6*36*10         | £0.25   | 1   |
| 4.9     | 5030029-03     | FOLDING PARTS          | £0.15   | 1   |
| 4.10    | 5030041-04     | POPNUIT                | £0.38   | 1   |
| 4.11    | 5030057        | ALUM. POPNUIT          | £0.08   | 1   |
| 4.12    | 5030086-03     | SMALL SPRING           | £0.13   | 1   |
| 4.13    | 5030139-T(BK)  | FOLDING SWITCH         | £0.38   | 1   |
| 4.14    | 5050089-08     | PLASTIC HANDGRIP,BLACK | £0.63   | 1   |
| 4.15    | 5050287-09     | WASHER                 | £0.08   | 1   |
| 4.16    | 5050317-08     | PLUG,BLACK             | £0.13   | 1   |
| 4.17    | 5050320-08     | BIG PLUG,BLACK         | £0.20   | 1   |
| 4.18    | 5050389-08     | PLUG,BLACK             | £0.15   | 1   |

## Spare Parts List



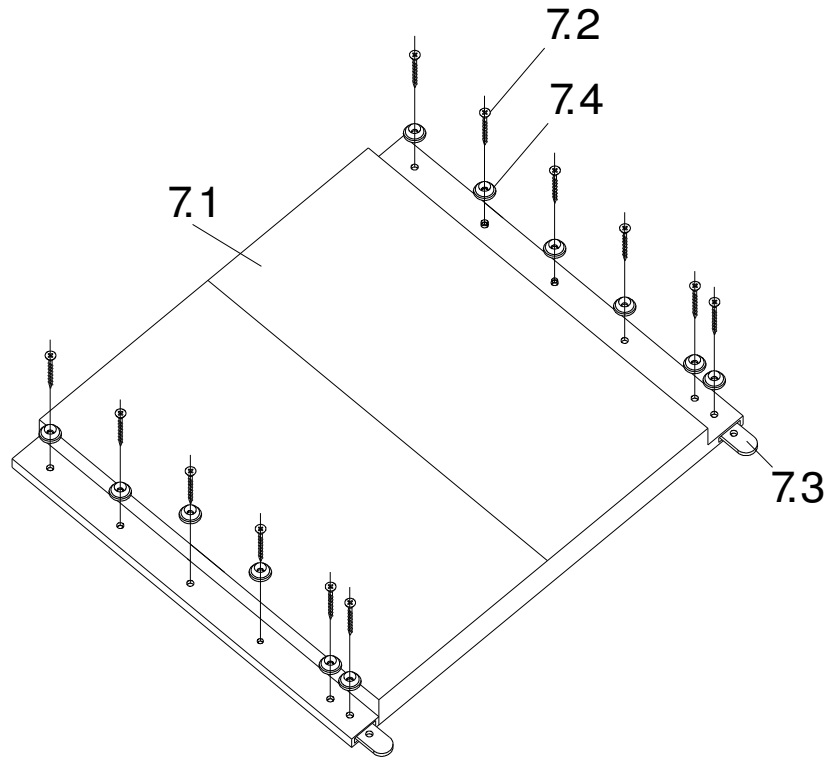
| Item No | Part No        | Description              | Price £ | Qty |
|---------|----------------|--------------------------|---------|-----|
| 5       | 2062811        | FRAME ASS'Y              | £115.49 | 1   |
| 5.1R    | 3062809-YS0910 | FRAME (LEFT)             | £32.78  | 1   |
| 5.1L    | 3062810-YS0910 | FRAME (RIGHT)            | £32.78  | 1   |
| 5.2R    | 3062811-PE511  | CROSSBAR TUBE(LEFT)      | £17.66  | 1   |
| 5.2L    | 3062812-PE511  | CROSSBAR TUBE(RIGHT)     | £17.66  | 1   |
| 5.3     | 4060422        | LINK TUBE                | £1.51   | 1   |
| 5.4     | 5010004-08     | WASHER                   | £0.08   | 1   |
| 5.5     | 5010007-08     | WASHER                   | £0.08   | 1   |
| 5.6     | 5010021-08     | WASHER                   | £0.08   | 1   |
| 5.7     | 5020028-08     | M8 NYLON NUT             | £0.13   | 1   |
| 5.8     | 5020029-08     | M6 NYLON NUT             | £0.13   | 1   |
| 5.9     | 5020030-08     | M5 NYLON NUT             | £0.13   | 1   |
| 5.10    | 5020056-08     | SCREW M5*28              | £0.15   | 1   |
| 5.11    | 5020067-08     | SCREW M5*30              | £0.15   | 1   |
| 5.12    | 5020153-08     | SCREW M8*75              | £0.51   | 1   |
| 5.13    | 5030033-03     | POPNUIT                  | £0.13   | 1   |
| 5.14    | 5030055-03     | LOCKING                  | £0.13   | 1   |
| 5.15    | 5030071-03     | SPRING                   | £0.13   | 1   |
| 5.16    | 5030107        | ALUM. POPNUIT            | £0.08   | 1   |
| 5.17    | 5030550        | ALUM. POPNUIT            | £0.08   | 1   |
| 5.18    | 5050096-08     | RUBBER PLUG,BLACK        | £1.26   | 1   |
| 5.19    | 5050147-08     | SLIP PLUG,BLACK(BACK)    | £0.51   | 1   |
| 5.20    | 5050148-08     | SLIP PLUG,BLACK(FRONT)   | £0.51   | 1   |
| 5.21    | 5050369-08     | PANEL WASHER,BLACK       | £0.08   | 1   |
| 5.22    | 5050370-08     | PLASTIC SKIRTGUARD,BLACK | £3.53   | 1   |
| 5.23    | 5050389-08     | PLUG,BLACK               | £0.13   | 1   |
| 5.24    | 5050528-08     | PU ARM PAD,BLACK         | £5.06   | 1   |
| 5.25    | 5030057        | ALUM. POPNUIT            | £0.08   | 1   |

## Spare Parts List



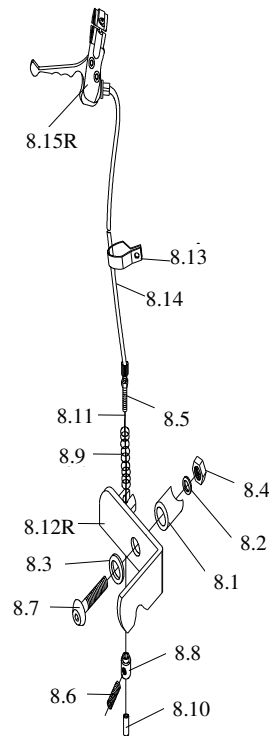
| Item No | Part No    | Description              | Price £ | Qty |
|---------|------------|--------------------------|---------|-----|
| 6       | 2062812    | BACKREST ASS'Y           | £18.41  | 1   |
| 6.1     | 4060326    | SAFE BELT                | £4.54   | 1   |
| 6.2     | 4062823    | BACK UPHOLSTERY          | £10.09  | 1   |
| 6.3     | 5010004-08 | WASHER                   | £0.08   | 1   |
| 6.4     | 5020057-08 | SCREW                    | £0.13   | 1   |
| 6.5     | 5020171-08 | SCREW $\phi 5 \times 25$ | £0.13   | 1   |
| 6.6     | 5020177-08 | SCREW M6*55*37           | £0.20   | 1   |
| 6.7     | 5040585    | STEEL STEM (LONG)        | £0.75   | 1   |
| 6.8     | 5040586    | STEEL STEM (SHORT)       | £0.50   | 1   |
| 6.9     | 5050099-08 | PLASTIC WASHER, BLACK    | £0.08   | 1   |

## Spare Parts List



| Item No | Part No    | Description          | Price £ | Qty |
|---------|------------|----------------------|---------|-----|
| 7       | 2062813    | SEAT ASS'Y           | £11.60  | 1   |
| 7.1     | 4062824    | SEAT CUSHION         | £8.83   | 1   |
| 7.2     | 5020062-08 | SCREW,ED             | £0.13   | 1   |
| 7.3     | 5040589    | ALUM. STEM           | £1.26   | 1   |
| 7.4     | 5050099-08 | PLASTIC WASHER,BLACK | £0.08   | 1   |

## Spare Parts List



| Item No | Part No    | Description                          | Price £ | Qty |
|---------|------------|--------------------------------------|---------|-----|
| 8       | 2062814L   | BRAKE ASS'Y (Left)                   | £7.25   | 1   |
|         | 2065814R   | BRAKE ASS'Y (Right)                  | £7.25   | 1   |
| 8.1     | 4060471-ED | ALUM. WASHER,ED                      | £0.38   | 1   |
| 8.2     | 5010004-08 | WASHER $\phi 12 * \phi 6.2 * 1.0$ ,  | £0.08   | 1   |
| 8.3     | 5010061-08 | WASHER $\phi 16 * \phi 6.2 * 1.5t$ , | £0.08   | 1   |
| 8.4     | 5020029-08 | M6 NYLON NUT                         | £0.13   | 1   |
| 8.5     | 5020044-03 | SCREW M6*17                          | £0.20   | 1   |
| 8.6     | 5020074-08 | SCREW M5*8                           | £0.13   | 1   |
| 8.7     | 5020125-08 | SCREW M6*50*15                       | £0.25   | 1   |
| 8.8     | 5030022-ED | SMALL TUBE,ED                        | £0.76   | 1   |
| 8.9     | 5030074-03 | BRAKE SPRING $\phi 1.2 * 10 * 54$ ,  | £0.20   | 1   |
| 8.12R   | 5030535-08 | BRAKE BLOCK(LEFT)                    | £0.63   | 1   |
| 8.12L   | 5030536-08 | BRAKE BLOCK(RIGHT)                   | £0.63   | 1   |
| 8.13    | 5050203-08 | LINE LOCK,BLACK                      | £0.13   | 1   |
| 8.10    |            |                                      |         |     |
| 8.11    | 5050385-08 | BRAKE HOUSING,BLACK                  | £1.27   | 1   |
| 8.14    |            |                                      |         |     |
| 8.15R   | 5050610-08 | BRAKE HANDLE(LEFT)                   | £3.03   | 1   |
| 8.15L   | 5050611-08 | BRAKE HANDLE(RIGHT)                  | £3.03   | 1   |



**Days Health Care U.K. Ltd.**

Litchard Ind Est

Bridgend

CF32 2AL

(t) +44 (0) 1656 664700

(f) +44 (0) 1656 664750

Tec

Services (t) +44 (0) 1656 664747

(e) [info@dayshealthcare.com](mailto:info@dayshealthcare.com)

(w) [www.daysmedical.com](http://www.daysmedical.com)

Days Healthcare U.K. Ltd reserve the right to change the specifications without prior notice.

All text and images are copyright, and the property of Days Healthcare U.K. Ltd